

Mobile Medical Tablet

MD116/MD116i

12" Fanless Intel ATOM / i5 Medical Tablet



(Only MD116i)



Features

- Intel® Apollo Lake processor / Kaby lake U processor
- Dual hot-swappable batteries for 24/7 operation
- Dual smart card readers for multiple-care workflow
- Standard USB Type-A and RJ45 for easy connection to medical devices
- IP54 certified & 3 feet drop resistant
- ORION client compatible
- Instant vehicle docking system
- Automotive Directive and EN1789 compliance for ambulances/medical transportation vehicles

Specifications

MAIN SPECIFICATIONS	MD116	MD116i
Processor	Intel® Apollo Lake Processor	Intel® Kaby Lake Core i5 U Processor
System Memory	DDR3L SO-DIMM x1, Default 4 GB (Up to 8 GB),	DDR4 SO-DIMM x1, Default 4 GB (Up to 16 GB)
OS Support	Microsoft® Windows 10 IOT LTSC	
Storage	M.2 Interface x1, Default 64 GB	
Wireless Communication	802.11 a/b/g/n/AC + BT5.0 (Optional)	
Camera	2 MP (Front) / 5 MP (Rear) (optional)	
Touchscreen	Projected Capacitive Touchscreen, w/Gorilla Glass	
Digital Accelerometer	ADI ADXL345	
Ambient Light Sensor	TAOS TSL2581	
LTE+GPS	Sierra EM7421 x 2 (Optional)	Sierra EM7421 x 1 (Optional)
Function Keys	x2	
LED Indicators	x2	
Speaker	2W x1	
Internal Mic	x1	
Power Requirement	DC 12V	
Security	Smart Card Reader x 2 , RFID x1 (optional)	

DISPLAY

Display Size	11.6" 16:9 Widescreen LED Panel	
Resolution	FHD 1920 x 1080	
Max. Colors	16.7M	
Contrast Ratio	800:1	
Luminance (cd/m2)	300nits	600nits

I/O

USB	USB 3.0 (Type-A) x1, USB 2.0 (Type-A) x1	
Ethernet	Gigabit LAN x1	
DC-In	DC-in Jack x1	
Docking	Docking Connector x1	

BATTERY PACK

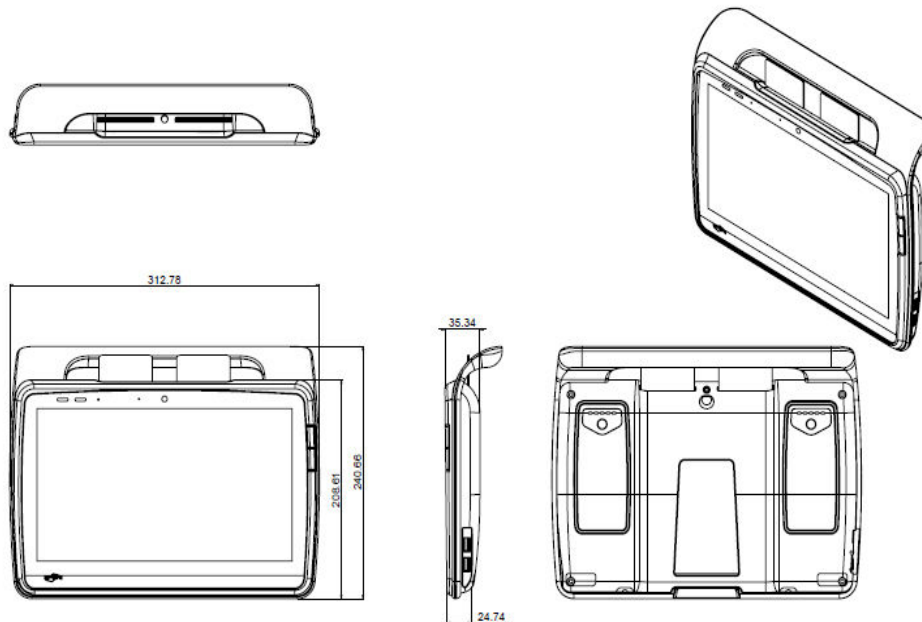
Battery Type	Li-ion	
Battery Capacity	4545 mAh (32.72Wh) x2	
Battery Run Time	Approx. 8 hrs	Approx. 3.5 hrs

MECHANICAL AND ENVIRONMENTAL

VESA	VESA 75 via docking station	
Degree of Protection	IP54	
Operating Temperature	0° C ~ 40° C (32° F ~ 104° F) 0° C ~ 35° C (32° F ~ 95° F)	
Storage Temperature	-20° C ~ 60° C (-4° F ~ 140° F)	
Storage Humidity	10%~95%@40°C, non-condensing	
Dimensions	312 (W) x 239 (H) x 37 (D) mm	
Packing Size	400 x 345 x 160 mm	
Gross Weight	3 kg (6.6 lb)	
Net Weight	Approx. 1.45~1.8 kg (3.2 lb~3.97 lb)	
Certifications	CE: EN 60601-1-2:2015(V4.0), EN 60601-1:2006/A1:2013(V3.1), EN 300 328 (V2.1.1), EN 301 893 (V2.1.1) FCC: Part 18 Class B, Part 15 C/E UL: ANSI/AAMI ES60601-1:2012 (V3.1) cUL: CAN/CSA-C22.2 No. 60601-1:2014 (V3.1)	

12"Fanless Intel ATOM / i5 Medical Tablet

Dimensions / Unit: mm



Ordering Information

- ONYX-MD116ST-A1-1010
Tablet.N4200.11.6".FHD.300nits.C-TS(G).4G RAM.M.2 64GB.F/R-Camera.SCR.RFID.WiFi/BT.Battery
- ONYX-MD116ST-A1-1011
Tablet.N4200.11.6".FHD.600nits.C-TS(G).4G RAM.M.2 64GB.F/R-Camera.SCR.RFID.WiFi/BT.Battery
- ONYX-MD116ST-A1-1012
Tablet.N4200.11.6".FHD.300nits.C-TS(G).4G RAM.M.2 64GB.WiFi/BT.Battery (NURSE CART)
- ONYX-MD116I-P73-A1-0001
Tablet.i5-7300U.11.6".FHD.300nits.C-TS(G).F/R-Camera.SCR.RFID.WiFi/BT.Battery(x2)
- ONYX-MD116I-P73-A1-0002
Tablet.i5-7300U.11.6".FHD.600nits.C-TS(G).F/R-Camera.SCR.RFID.WiFi/BT.Battery(x2)
- ONYX-MD116I-P73-A1-0003
Tablet.i5-7300U.11.6".FHD.300nits.C-TS(G).WiFi/BT.Battery(x2). (NURSE CART)

Optional Accessories

- 1255200900
Medical Adaptor.AC/DC.100-240V.1.5A.12V/ 7.5A,90W.
- OPM-S08R-A1
RFID Reader Kit. for MD116 Series
- OPM-V05C-A1
2MP-5MP Camera with Mic Kit. for MD116 Series
- OPM-T030-A1
Smart Card Reader Kit. for MD116 Series
- OPM-A001-A1
Gorilla touch