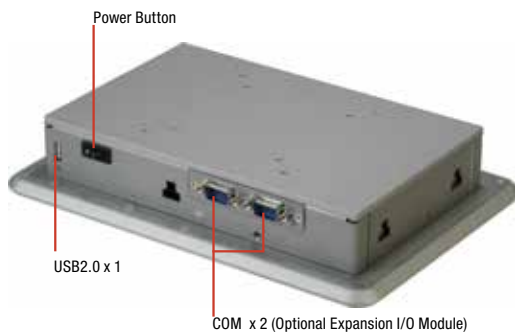
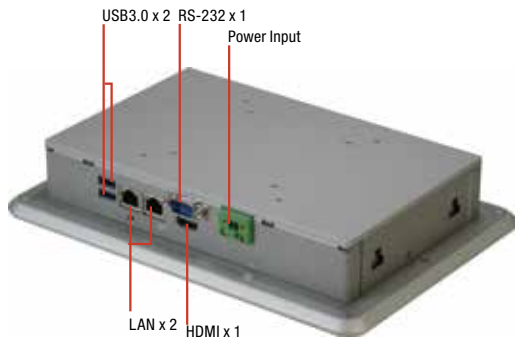


04 ACP-1106

10.1" WXGA Multi-Touch Panel PC With Intel® Pentium® N4200/ Celeron® N3350 Processor, 4 GB RAM



9761107601
USB 2.0 x 2



9761107600
RS-232/422/485 x 2



Features

- 10.1" WXGA (1280 x 800) Color TFT LCD Display
- Intel® Pentium® N4200/ Celeron® N3350 Processor
- Projected Capacitive Multi Touch (2 Fingers)
- IP 65 Compliant Aluminum Front Bezel
- Fanless System
- VESA 75/Panel Mount Support
- DC 9~30V

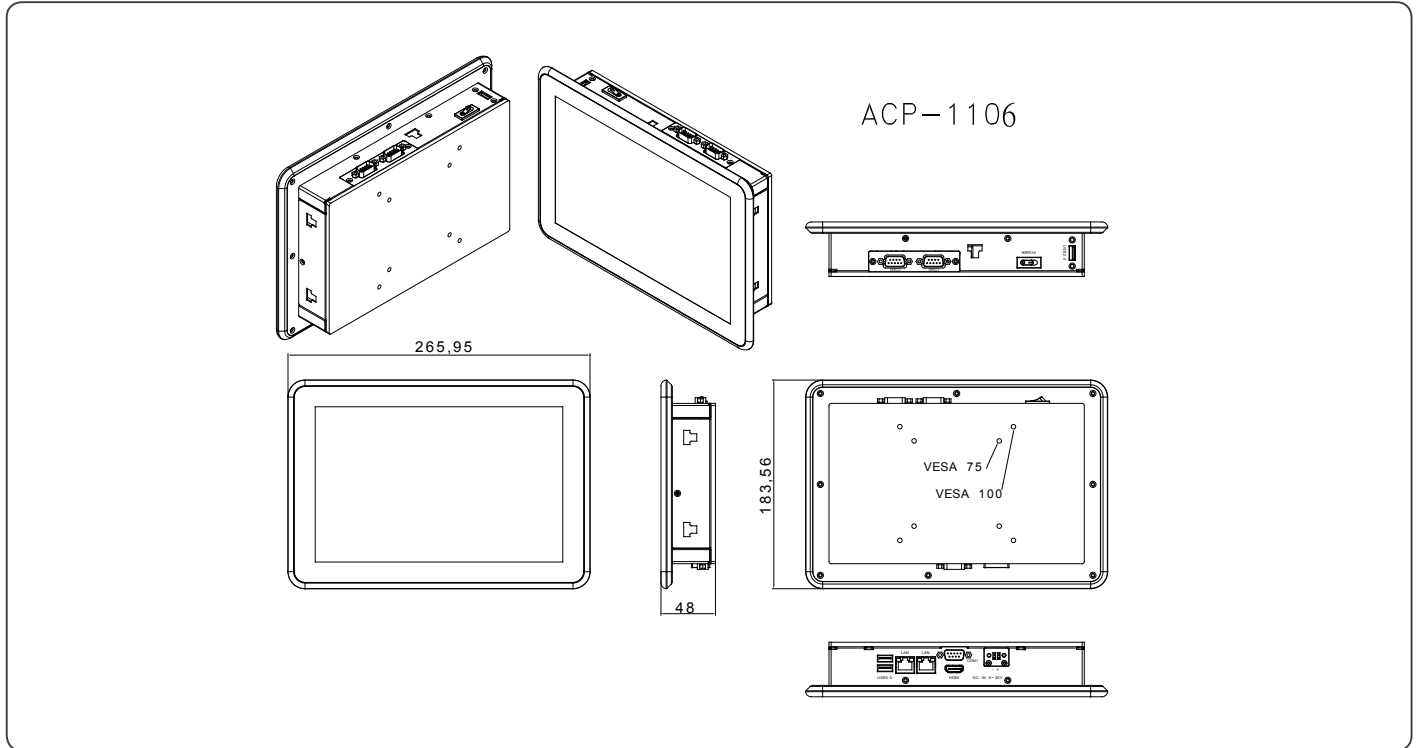


Specifications

| System | |
|-------------------------|--|
| Processor | Intel® Pentium® N4200 processor, 1.1 GHz (Quad-Core), Burst frequency 2.5GHz Intel® Celeron® N3350 processor, 1.1 GHz (Dual-Core), Burst frequency 2.4GHz |
| System Memory | 204 Pin DDR3L SODIMM x 1, Build-in 4GB, Max. 8GB |
| LCD/CRT controller | Intel® Pentium® N4200/ Celeron® N3350 Processor |
| Ethernet | 10/100/1000Base-TX, RJ-45 x 2 |
| Bottom I/O Port | DB9 Type RS-232 x 1 USB 3.0 x 2 HDMI x 1 RJ-45 10/100/1000 LAN x 2 2 Pin terminal block for power input Power button x 1 |
| Top I/O Port | Power Button x 1 Type A USB 2.0 x 1 Expansion I/O Slot |
| Storage Disk Drive | Full Size mSATA x 1 |
| Expansion Slot | Half size mini card x 1(Internal) |
| OS support | Windows® 10, Linux Kernel 4.4.0 or above |
| Mechanical | |
| Construction | Aluminum Front Bezel + Aluminum Chassis |
| Mounting | VESA 75, Panel Mount |
| Dimension | 10.47" x 7.24 x 1.89" (266 x 184 x 48mm) |
| Carton Dimension | 13.38" x 7.64 x 9.96" (340 x 194 x 253mm) |
| Gross Weight | 6.38 lb (2.9 kg) |
| Environmental | |
| Operating Temperature | -5°C ~ 50°C with 0.5 m/s airflow |
| Storage Temperature | -4°F ~ 158°F (-20°C ~ 70°C) |
| Storage Humidity | 90% @40°C; non-condensing |
| Vibration | 1Grms / 5~ 500Hz / operation – With HDD |
| Shock | 15G peak acceleration (11 msec. duration) – With HDD |
| EMC | CE/FCC Class A |
| Power Supply | |
| DC input | DC 9~30V |
| LCD | |
| Display type | 10.1" TFT-LCD, LED |
| Max Resolution | 1280 x 800 |
| Max. Colors | 262K colors (6 bit for R,G,B) |
| Luminance | 250 cd/m ² |
| Viewing Angle | 160°(H), 160°(V) |
| Back Light | LED |
| Back Light MTBF (hours) | 20,000 |
| Touch Screen | |
| Type | Projective Capacitive Touch |
| Light Transmission | 90% |

Dimension

Unit: mm



Ordering Information

| Part Number | Display Type | Max Resolution | Luminance | View Angle | Backlight MTBF | CPU | LAN | USB 3.0 | USB 2.0 | RS-232 | RS-232/422/485 | Storage | RAM | Display | Expansion | Mounting | Power | Temp. | Touch |
|---------------------|---------------|----------------|-----------------------|---------------|----------------|-----------------------|-----|---------|---------|--------|----------------|---------------------|------------------------|----------|---|-----------------------|----------|--------------------------|----------|
| ACP-1106HTT-A1-1010 | 10.1" TFT-LCD | 1280 x 800 | 250 cd/m ² | 160(H)/160(V) | 25,000 | Intel® Pentium® N4200 | 2 | 2 | 1 | 1 | 0 | Full Size mSATA x 1 | 4GB DDR3L RAM Included | HDMI x 1 | Half size mini card x 1 Expansion I/O module x 1 | Stand, Panel, VESA 75 | DC 9~30V | -5°C ~ 50°C (w/ aorflow) | PCAP T/S |
| ACP-1106HTT-A3-1010 | 10.1" TFT-LCD | 1280 x 800 | 250 cd/m ² | 160(H)/160(V) | 25,000 | Intel® Celeron® N3350 | 2 | 2 | 1 | 1 | 0 | Full Size mSATA x 1 | 4GB DDR3L RAM Included | HDMI x 1 | Half size mini card x 1 Expansion I/O module x 1 | Stand, Panel, VESA 75 | DC 9~30V | -5°C ~ 50°C (w/ aorflow) | PCAP T/S |
| ACP-1106HTT-B1-1010 | 10.1" TFT-LCD | 1280 x 800 | 250 cd/m ² | 160(H)/160(V) | 25,000 | Intel® Pentium® N4200 | 2 | 2 | 1 | 1 | 0 | Full Size mSATA x 1 | 4GB DDR3L RAM Included | HDMI x 1 | WiFi Expansion I/O module x 1 | Stand, Panel, VESA 75 | DC 9~30V | -5°C ~ 50°C (w/ aorflow) | PCAP T/S |
| ACP-1106HTT-B3-1010 | 10.1" TFT-LCD | 1280 x 800 | 250 cd/m ² | 160(H)/160(V) | 25,000 | Intel® Celeron® N3350 | 2 | 2 | 1 | 1 | 0 | Full Size mSATA x 1 | 4GB DDR3L RAM Included | HDMI x 1 | WiFi Expansion I/O module x 1 | Stand, Panel, VESA 75 | DC 9~30V | -5°C ~ 50°C (w/ aorflow) | PCAP T/S |

Packing List

- Panel Mount Kit
- VESA Screws
- Product CD
- ACP-1106

Full Size mSATA Storage Device:

- **AP-SS968C008G1N**
Full-sized, 8GB mSATA, MLC, -40°C ~ 85°C
- **AP-SS968C016G3D**
Full-sized, 16GB mSATA, MLC, -40°C ~ 85°C
- **968C032G35**
Full-sized, 32GB mSATA, MLC, -40°C ~ 85°C
- **968C064G2R**
Full-sized, 64GB mSATA, MLC, -40°C ~ 85°C
- **968C128G16**
Full-sized, 128GB mSATA, MLC, -40°C ~ 85°C
Note : AAEON factory-installed mSATA HDD is strongly recommended.

Optional Accessories

- **1702031802**
Power Cord (US Type)
- **1702031803**
Power Cord (European Type)
- **170203180E**
Power Cord (Japanese Type)
- **M041073020**
Stand Kit
- **9761107600**
RS-232/422/485 x 2
- **9761107601**
USB 2.0 x 2
- **1255300609**
2 Pin 60W power adapter