

PRODUCT DETAILS – MITRA

Stable terminal with voucher printer



THE MITRA MODEL

The compact MITRA terminal is often used in waiting areas as a ticket dispenser or call system. The model can either be free-standing with a stand or mounted to a wall. The various components are easily maintained via the front access.

Features of the standard version

Features

- ▭ 15" screen diagonal
- ▭ indoor model
- ▭ robust housing made from aluminium & steel plate
- ▭ low-noise housing cooling
- ▭ protection from vandalism (secure lock, protective glass)

Optional components

- ▭ mounting: free-standing or wall-mounted
- ▭ touch: yes/no
- ▭ height-adjustable: yes/no

Technical data for the standard version

Screen

- ▭ LCD display with LED backlight
- ▭ 4:3 format with 1024 x 768 Pixel
- ▭ brightness 225 cd/m²

Touch

- ▭ single touch
- ▭ capacitive technology

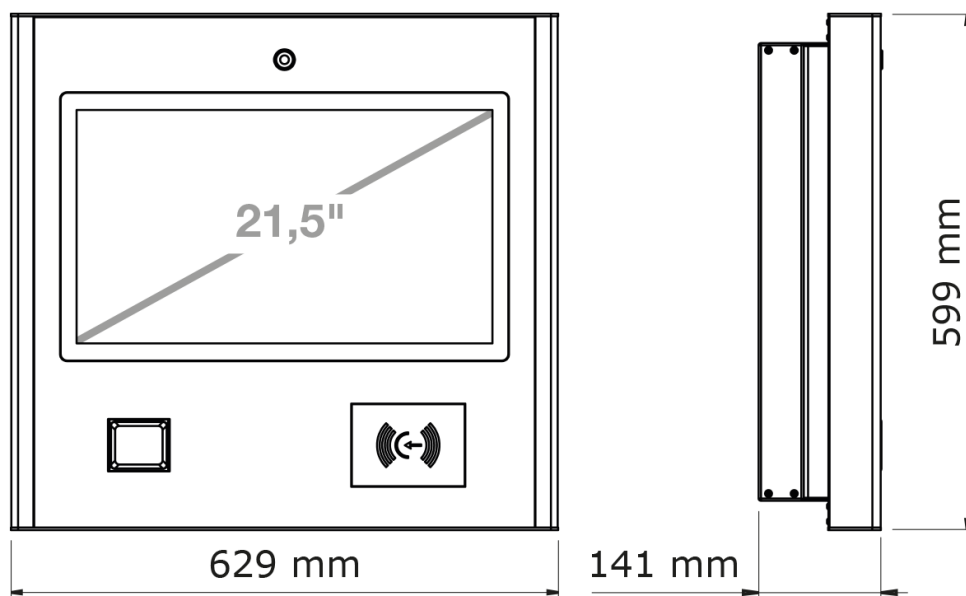
PC system

- ▭ integrated, fully-fledged Windows PC
- ▭ standard version with i3 or i5 (optional Android Digital Signage Player)
- ▭ equipment can be adapted to suit your requirements

Connectivity

- ▭ LAN

Dimensions of the standard version



MITRA 21,5"

MODELS & ADDITIONAL COMPONENTS

In addition to the 15" standard version, the kiosk system MITRA is available with screen diagonal 19" and 21,5".

All three model sizes can be equipped with various components. Please feel free to contact us, if you need information on the possible combinations.

Equipment components



Colour / Labelling

- ↪ adjust the colour of the housing to your corporate design
- ↪ use labelling to customise the housing (temporary or permanent)



Printer

- ↪ thermal voucher printer



Multimedia

- ↪ headphones
- ↪ telephone handset
- ↪ mobile data network (3G / 4G)
- ↪ card reader
- ↪ WLAN
- ↪ USB connection
- ↪ barcode scanner



RFID

- NFC / RFID reader

POSSIBLE APPLICATIONS

In most cases, the MITRA terminal is used as a **ticket dispenser** for administrations, hospitals and other institutions.

As a **check-in system** it automates the booking for truck drivers at toll stations.

Additionally equipped with a **telephone receiver** and a **camera**, the visitor can communicate with a contact person within the building via the terminal.

