

# W32L100-PTA1

## 32" Multi-Touch Color Surgical Display



### KEY FEATURES

- 32" Multi-Touch Color Surgical Display (3840 x 2160) native resolution
- Projected Capacitive Touch
- Bottom side keys x 5
- Fanless and Ventless design, Easy-to-Clean, Multi-Touch Color Surgical Display
- Support VGA , DVI , HDMI , DP variety signal input
- Support IR Remote controller
- Housing with antimicrobial properties
- Front IP65



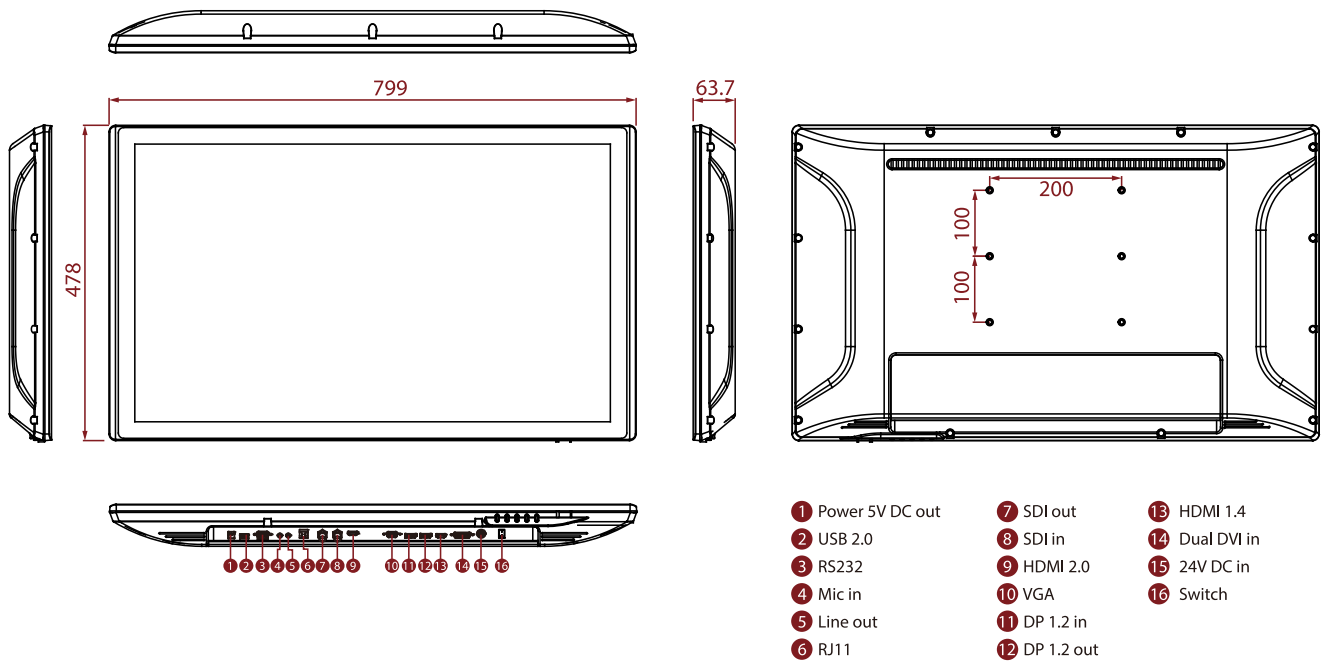
### SPECIFICATIONS

Display			
<b>Resolution</b>	3840x2160	<b>Size</b>	32 inches
<b>Contrast Ratio</b>	1000:1	<b>Panel Brightness</b>	350 nits
<b>Display Color</b>	1.07B Colors	<b>View Angles</b>	89,89,89,89
<b>Active Area</b>	708.48 x 398.52 mm	<b>Touch / Glass</b>	Projected Capacitive Multi Touch Screen
Environment			
<b>Operating Humidity</b>	10% to 90% RH, non-condensing	<b>Operating Temperature</b>	0°C to 35°C
<b>Storage Temperature</b>	-20 °C to 60 °C		
Certification			
<b>Certification</b>	IEC 60601-1:2005 + A1:2012 (Ed. 3.1) IEC 60601-1-6:2010 + A1:2013 (Ed. 3.1) IEC 62366:2007 + A1:2014 (Ed. 1.1) ANSI/AAMI ES60601-1:2005/A1:2012 and C1:2009/(R)2012 and A2:2010/(R)2012 CAN/CSA-C22.2 No.60601-1:14 EN 60601-1-2:2015, IEC 60601-1-2:2014 (Ed. 4.0) EN 55032/EN 55024, FCC part 15B EN 62368-1:2014 RoHS-2, REACH, WEEE compliant		
IO Ports			
<b>USB Port</b>	1 x USB 2.0	<b>Serial Port</b>	1 x RS-232
<b>Video</b>	1 x Dual DVI In 1 x DP 1.2 Out 1 x DP 1.2 In 1 x VGA In 1 x SDI in 1 x SDI out 1 x HDMI 1.4 (Optional) 1 x HDMI 2.0 (Optional)	<b>Audio</b>	1 x Mic In 1 x Line Out 2 x Speaker
<b>GPIO</b>	1 x RJ-11		
Mechanical			
<b>Dimension</b>	799 x 478 x 63.7 mm	<b>Mounting</b>	VESA Mount

<b>Enclosure</b>	Plastic	<b>Cooling System</b>	Fanless Design
<b>Accessory</b>			
<b>Accessory</b>	Remote Control User Manual M4 VESA Mounting Screws 24 Volt Power Supply Power Cable 1.8m VGA Cable DVI Cable 1.8 m SDI Cable DC Jack to Open Wire Cable	<b>Optional Accessory</b>	USB Cable for Touch (Optional)
<b>Power</b>			
<b>Power Rating</b>	24V DC in		
<b>Control</b>			
<b>Button</b>	5 Keys: -, +, Power, Esc, Enter		

## DIMENSIONS UNIT:MM

### 32" Multi-Touch Color Surgical Chassis Display W32L100-PTA1



## NOTE

1. This is a simplified drawing and some components are not marked in detail.
2. Please contact our sales representative if you need further product information.
3. All specifications are subject to change without prior notice.
4. The product shown in this datasheet is a standard model. For diagrams that contain customized or optional I/O, please contact the Winmate Sales Team for more information.