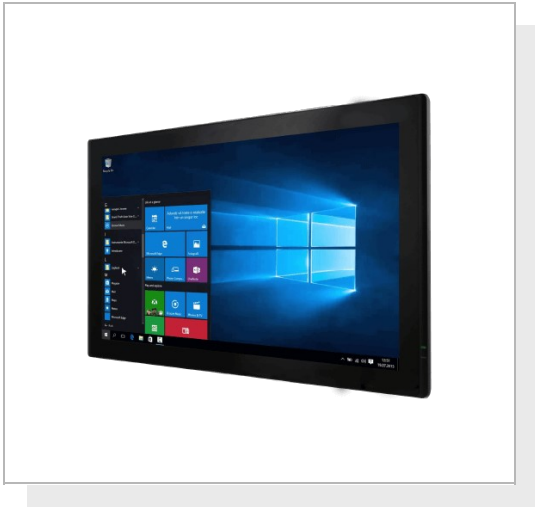


# W32IW3S-PTA3

## 32" Intel® Core™ i5 -8265U Standalone Panel PC HMI



### KEY FEATURES

- 32" 1920 x 1080 with PCAP touchscreen
- 8th Generation (Whiskey Lake) Intel® Core™ i5-8265U 1.6GHz (turbo to 3.9GHz)
- Front IP65 for protection against water and dust
- A true flat, easy-to-clean front surface with edge-to-edge design
- Plenty of I/O, including 2 x LAN, 1 x COM, 2 x USB 3.0, 1 x HDMI

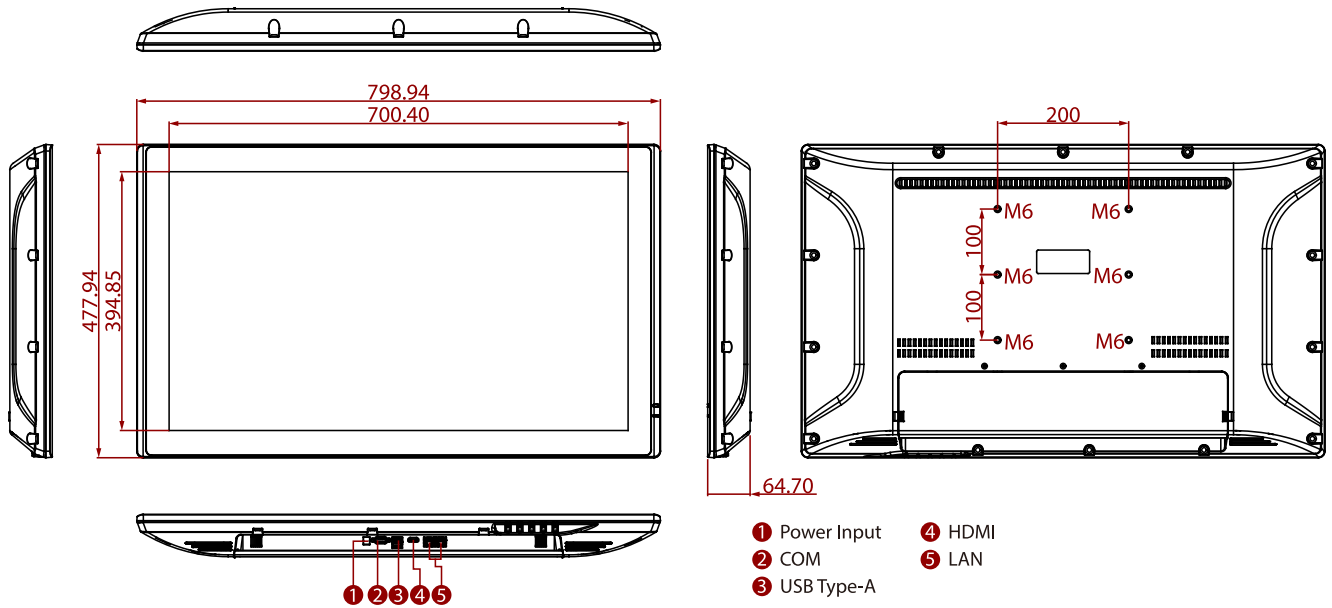


### SPECIFICATIONS

Display			
<b>Resolution</b>	1920x1080	<b>Size</b>	32 inches
<b>Contrast Ratio</b>	4000:1	<b>Panel Brightness</b>	400 nits
<b>View Angles</b>	89,89,89,89	<b>Active Area</b>	698.4 x 392.85 mm
<b>Touch / Glass</b>	Projected Capacitive Multi Touch Screen		
System Specification			
<b>Processor</b>	Intel® Core™ i5 -8265U (6M Cache, 1.6GHz up to 3.9 GHz)	<b>Memory</b>	1 x SO-DIMM, DDR4 2400 MHz, 4GB 8GB (Optional) 16GB (Optional) 32GB (Optional)
<b>Storage</b>	1 x M.2 2242 B-key SSD 64GB M.2 2242 B-key SSD up to 512GB (Optional) M.2 2280 M-Key NVME SSD, up to 4TB (Optional)	<b>Ethernet controller</b>	Intel® Ethernet Controller I210-AT + Intel® Ethernet Connection I219-LM
<b>Security</b>	TPM 2.0	<b>Operating System</b>	Windows 10 IoT Enterprise (Optional) Linux Ubuntu 18.04 (Optional) Linux Ubuntu 20.04 (Optional)
Environment			
<b>Operating Humidity</b>	10% to 90% (non-condensing)	<b>Operating Temperature</b>	0~50°C
<b>Storage Temperature</b>	-20~60°C	<b>IP rating</b>	Front IP65
Certification			
<b>Certification</b>	CE, FCC		
Mechanical			
<b>Dimension</b>	799 x 478 x 63.7 mm	<b>Mounting</b>	VESA Mount (100 x 200mm) (200 x 200mm)
<b>Enclosure</b>	Plastic	<b>Cooling System</b>	Fan Design
IO Ports			
<b>USB Port</b>	2 x USB 3.0	<b>Serial Port</b>	1 x RS-232/422/485
<b>Video</b>	1 x HDMI (Optional)	<b>Audio</b>	2 x Speaker
<b>LAN</b>	2 x RJ 45-10/100/1000 Mbps		
Accessory			
<b>Accessory</b>	Driver CD Quick Start Guide(Hardcopy)		

<b>Power</b>	
<b>Power Rating</b>	12V DC input
<b>Control</b>	
<b>Button</b>	5 key: Power Up Down Left Right

**DIMENSIONS** UNIT:MM



**NOTE**

1. This is a simplified drawing and some components are not marked in detail.
2. Please contact our sales representative if you need further product information.
3. All specifications are subject to change without prior notice.
4. The product shown in this datasheet is a standard model. For diagrams that contain customized or optional I/O, please contact the Winmate Sales Team for more information.