

# W07FA3S-EHT1

## 7" NXP i.MX6 E Series HMI Panel PC



### KEY FEATURES

- 7" 1024 x 600 PCAP touchscreen
- NXP i.MX6 Dual Core
- Fanless cooling system
- Front IP65
- 1 x USB ; 1 x RS232 /422/485; 1 x CAN BUS



### SPECIFICATIONS

Display			
<b>Resolution</b>	1024x600	<b>Size</b>	7 inches
<b>Contrast Ratio</b>	1000:1	<b>Panel Brightness</b>	320 nits
<b>View Angles</b>	75,75,75,70	<b>Active Area</b>	153.6x90 mm
<b>Touch / Glass</b>	Projected Capacitive Multi Touch Screen		
System Specification			
<b>Processor</b>	NXP i.MX6 Dual Core, 1.0GHz	<b>Memory</b>	1GB 2GB (Optional)
<b>Storage</b>	Onboard 16GB eMMC Onboard 32GB eMMC (Optional)	<b>Operating System</b>	Linux Ubuntu 18.04 (Optional) Android 6.0 (Optional) Debian 7.0 (Optional) Linux 4.1.15 QT 5.5 (Optional)
<b>WLAN</b>	Support (Optional)	<b>BT</b>	Support (Optional)
Mechanical			
<b>Dimension</b>	185 x 128 x 48 mm	<b>Mounting</b>	Panel mount VESA Mount
<b>Enclosure</b>	Metal Housing	<b>Cooling System</b>	Fanless design
<b>Cut out</b>	177x118mm		
Environment			
<b>Operating Humidity</b>	10% to 90% (non-condensing)	<b>Operating Temperature</b>	0~50°C
<b>Storage Temperature</b>	-20~60°C	<b>IP rating</b>	Front IP65
Certification			
<b>Certification</b>	CE, FCC		
IO Ports			
<b>Power Input</b>	1 x 12V DC, 2-Pin Terminal Block	<b>USB Port</b>	1 x Console Port (Mini USB) 1 x USB OTG 1 x USB2.0 (Type-A)
<b>Serial Port</b>	1 x RS232/422/485 (Default RS232)	<b>SD Card Slot</b>	1 x Micro SD card slot
<b>Video</b>	1 x Micro HDMI (Optional)	<b>Expansion Port</b>	1 x mPCIe slot(for half size Wifi module)
<b>LAN</b>	1 x LAN RJ45 Connector with PoE(PD, 802.3 at)	<b>CANBUS</b>	1 x CANBUS, D-sub9

## Accessory

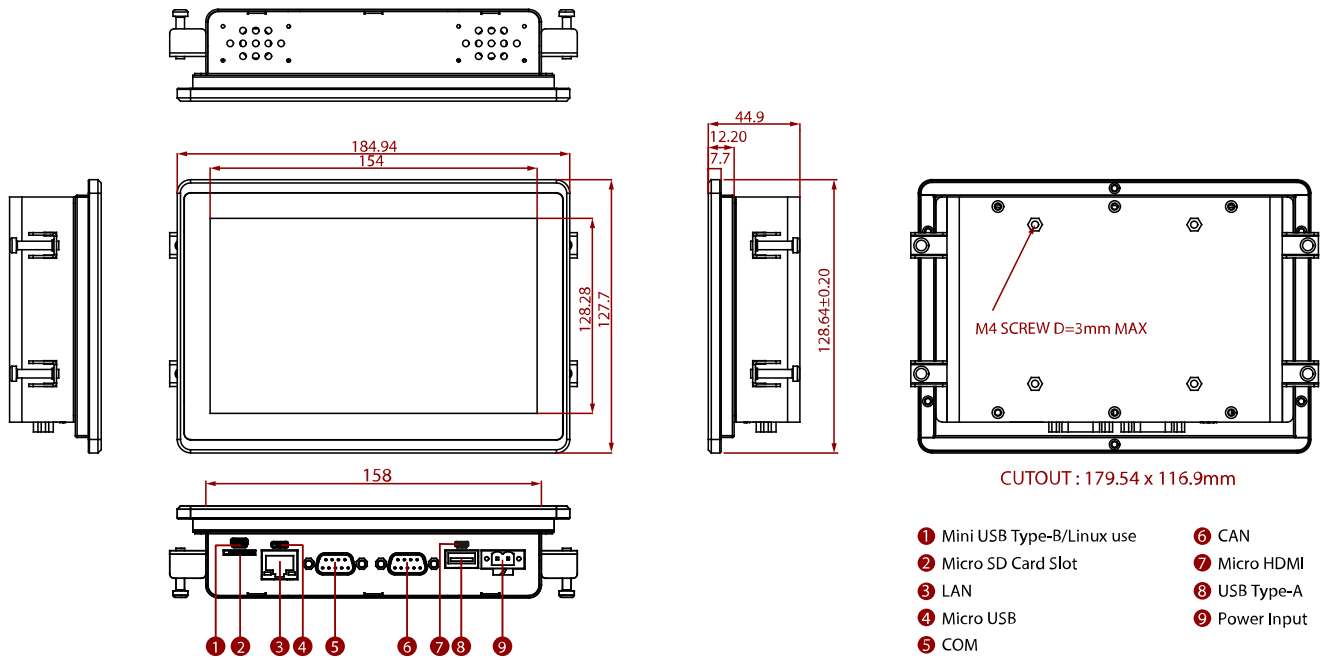
<b>Accessory</b>	100~240V AC to DC Adapter Power Cord VESA screws Manual Mounting clips
------------------	--

## Power

<b>Power Rating</b>	12V DC	<b>Adapter</b>	12V 50W
---------------------	--------	----------------	---------

## DIMENSIONS UNIT:MM

### Winmate W07FA3S-EHT1



## NOTE

1. This is a simplified drawing and some components are not marked in detail.
2. The product shown in this datasheet is a standard model. For diagrams that contain customized or optional I/O, please contact the Winmate Sales Team for more information.
3. All specifications are subject to change without prior notice.