

Embedded Computer

EAC PRO-IK90

EAC PRO-IK90 with 6th Generation Intel® Xeon E3 or 7th Generation Core™ i7/i5/i3 processors and C236 chipset offers high performance computing power and outstanding video processing. Abundant I/O ports and PCI/ PCIe expansion make EAC PRO-IK90 suitable for Factory Automation, Machine Vision, Surveillance, Machine Automation and other high-performance applications.

Product Features

- 6th Generation Intel® Xeon E3, 7th Generation Core™ i7/i5/i3 Processors
- HD 4K resolution & 4U Height Design
- Flexibility, Connectivity and Multi-Expansion
- High Storage Density & Easy Maintenance
- 9-36V Wide voltage and -15 to 55 Celsius degrees wide temperature

Optional Configuration

- **Optional Processor**
EAC PRO-IK90-E
Intel® Xeon E3-1268L V5
EAC PRO-IK90-7
Intel® Core™ i7-7700T
EAC PRO-IK90-5
Intel® Core™ i5-7500T
EAC PRO-IK90-3
Intel® Core™ i3-7100T
- **Optional Memory DDR4**
2 Channels 8GB to 32GB DDR4 -2400 SODIMM w/ECC or w/o ECC
- **Optional Storage**
2.5" HDD 500GB 7200rpm SATAIII
2.5" HDD 1TB 7200rpm SATAIII
2.5" SSD 128GB/256GB/512GB SATAIII
CFast 2.0 16GB/32GB/64GB/128GB/256GB
- **Optional Mounting**
Panel Mount
Table Mount
Rack Mount
- **Default Adapter**
12V/220W AC-DC Adapter



Factory Automation



Machine Automation



Server Grade IPC



Medical Display System



Digital Surveillance System

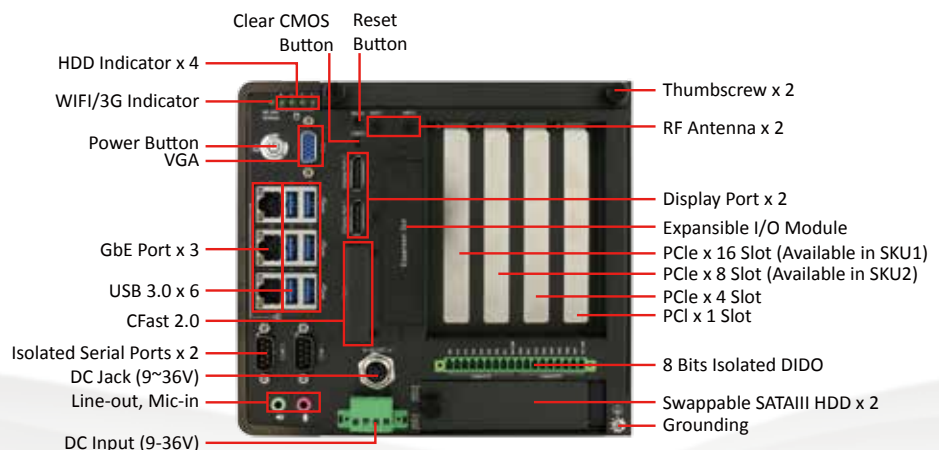


Intelligent Transportation

Ordering Information

- **Backplane Board**
EAC PRO-IK90-E / -7 / -5 / -3
SKU1 (1 PCIE3.0 x16, 1 PCIE3.0 x4, 1 PCI)
SKU2 (1 PCIE3.0 x8, 1 PCIE3.0 x4, 1 PCI)

EAC PRO-IK90 I/O



Product Specifications

Processor system		Internal I/O	
CPU	Intel® Core™ i7-7700T, 2.9 GHz ~ 3.8 GHz	USB	2 x USB2.0 Pin header 1 x USB3.0 type A
	Intel® Core™ i5-7500T, 2.7 GHz ~ 3.3 GHz	Serial Port	2 x RS-232 pin header 2 x UART pin header
	Intel® Core™ i3-7100T, 3.4 GHz	PS/2	1 x PS/2 pin header
	Intel® Xeon® E3-1268L V5, 2.4 GHz ~ 3.4 GHz	Parallel Port	1 x LPT port pin header
System Chipset	Intel® C236 PCH	Mini PCIE	2 x Mini PCIE socket (Full size)
Graphics Engine	Intel® HD Graphics P630/630	SIM	1 x Mini SIM slot
BIOS	Insyde BIOS	Expansion Slot	
Memory		SKU1	1 PCIE3.0 x16, 1 PCIE3.0 x4, 1 PCI
	2 x Slots DDR4 2400 MHz, Default w/o ECC (up to 32GB option)	SKU2	1 PCIE3.0 x8, 1 PCIE3.0 x4, 1 PCI
Socket	260-Pin SODIMM	Power Management	
Storage		Power input	9V to 36V DC-in , 4-Pin Terminal Block/DC Jack , Max : 220W (Either one)
SATAIII	2 x External 2.5" SATA 3.0 (6Gb/s) 2 x Internal 2.5" SATA 3.0 (6Gb/s) Support RAID 0/1/5/10	Power Consumption	Max : 50W (w/o external I/O and PCI/ PCIE Cards)
CFast	1 x CFast 2.0	Power Board	Support to 200W
Output Video I/O		Others	
VGA	1 x VGA, 1920x1200@60Hz D-Sub 15pin	LED indicator	4 x HDD, 1 x Wi-Fi/3G
DP	2 x Display Ports 1.2, up to 4096x2304@60Hz, female connector with lock	Button	1 x Power Button w/ LED 1 x Clear CMOS Button 1 x Reset Button
Active three display	VGA+DP+DP	Environment	
External I/O		Operation Temp.	0° ~ 40° C (32° ~ 104°F) (with HDD) 0° ~ 50° C (32° ~ 122°F) (with SSD /CFast) -15° ~ 55° C (-5° ~ 131° F) (w/Industrial SSD)
USB	6 x USB3.0, USB Type A (1A/5W)	Storage Temp.	-20° ~ 60°C (-4° ~ 140°F)(excl.HDD/SSD/CFast)
Serial Port	2 x COM ports (RS-232/422/485) w/Isolation D-Sub 9, switch by SW (RS-232/422/485)	Intelligent FAN	80 x 80 mm
Ethernet	3 x Giga LAN RJ45 Connector (2 x intel I210 and 1 x I219 PHY) intel iAMT 11.0, Wake On LAN	Certificate	
DI/DO		EMC & Safty	CE / FCC
Digital input	8ch dry contact DI0 ~ DI7, 1.5kV Isolation Logic 1 : Open ; Logic 0 : close to GND	Mechanical	
Digital output	8ch DO0 ~ DO7, 1.5kV Isolation, 20mA max/channel by internal com 12V or 5V	Dimensions	195 (W) x 177 (H) x 225 (D) mm
WDT	Watch Dog Timer supported	Weight	5.23kg (excl. PCIe card, storage, RAM etc.)
Audio		Mounting	Panel Mount (Optional), Table Mount (Optional) Rack Mount (Optional)
Codec	Audio Codec ALC283	Operating System	Windows 10 IoT Enterprise (64bit)
Connectors	Line Out, Mic in (3.5mm Jack)		

Mechanical Drawing

